

Installation Guide

March 2011

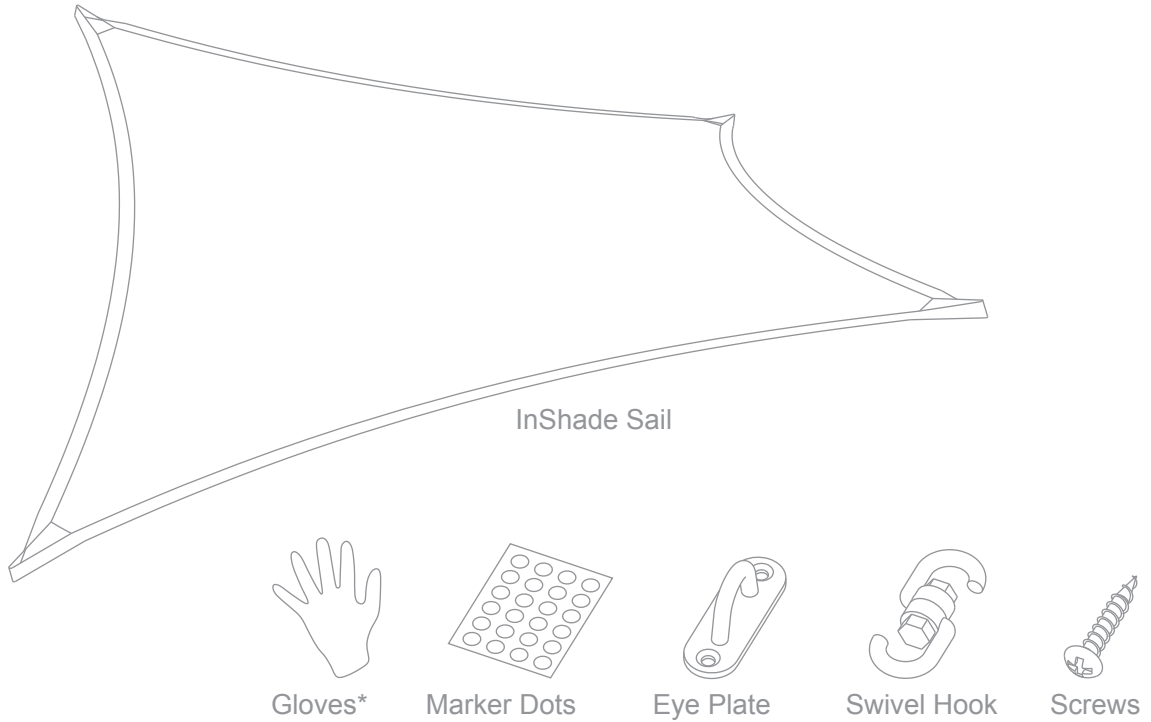
A stylized graphic of a white sail or canopy with a blue shadow underneath, positioned behind the In-Shade logo.

In-Shade

Interior Conservatory Sails

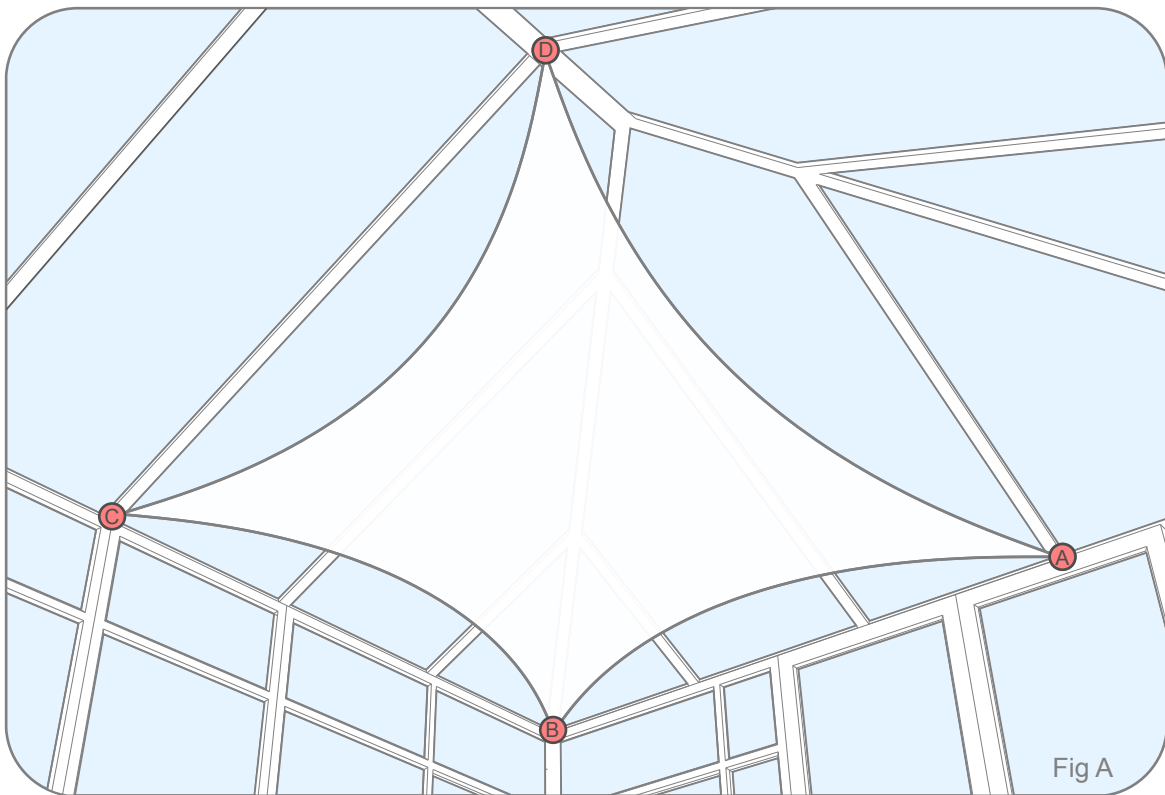
Please read all the instructions thoroughly before commencing work.

Part Identification



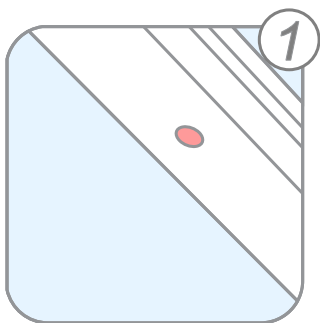
*Gloves are supplied for handling the sail - this makes sure the sail stays clean should you for any reason you need to return it.

Installation Overview



InShade is designed to be installed in most types of conservatory, including timber and uPVC. Our standard fixing is a simple two hole eye plate secured with screws.

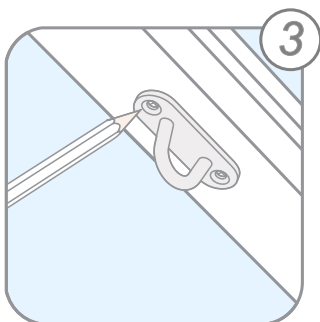
Wherever you have glazing extra care should be taken when drilling the pilot holes to ensure you don't catch the glass.



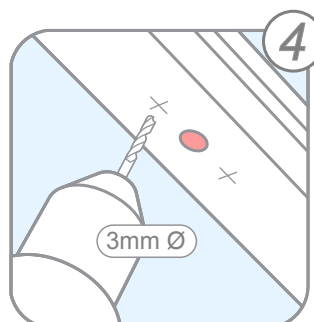
1 Start by marking out the locations where you intend to fix your sail. Mark each location with one of the supplied coloured dots.



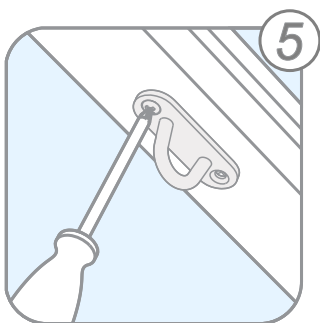
2 Using a tape measure, check the dimensions between each of the dots. These must lie within the maximum and minimum dimensions for each side of the sail as indicated on the size chart.



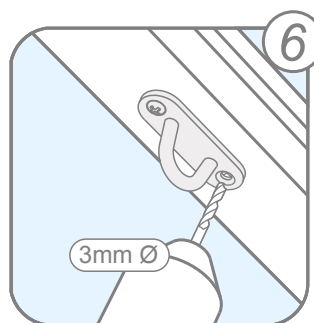
3 Place the eye plate in position and mark the two holes. Using a pencil is best for this as it will write on most surfaces and is easily rubbed off. The eye plate should be placed on the centreline of the frame and orientated along its length.



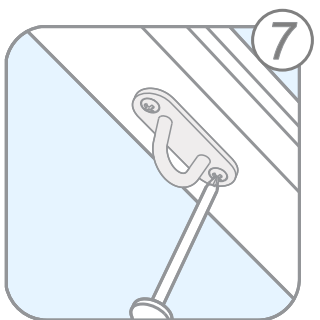
4 Drill a pilot hole for the first of the two fixing holes. If drilling into a uPVC conservatory take care to drill either on the centreline or as far from the glass edge as possible.



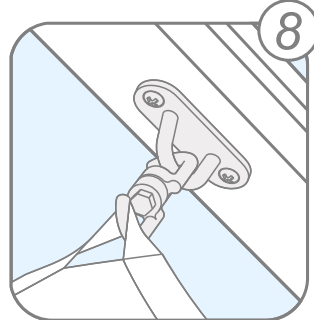
5 Once the first pilot hole is drilled attach the eye plate using one of the screws. This can be screwed in using a normal screw driver.



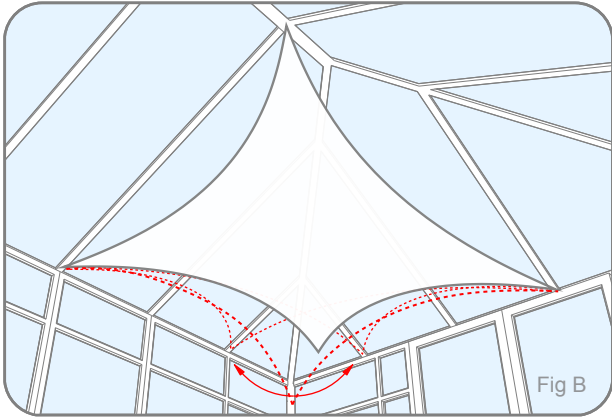
6 Check the alignment of the plate with the mark you made earlier and then drill the second pilot hole. Again take care to avoid catching the glass.



7 Screw in the second screw until tight. The eye plate should now be firmly fixed in place. Repeat for the other plates.



8 Once the eye plates are in place you can hook in your sail. It can be useful to do this before fixing the last plate allowing you to double check the shape and tension of the sail.



1) Fit the most critical point first and work away from this.

2) When fitting the sail it can be helpful to fit 3 points first and then check for the optimum location for the final fixing point (Fig B). In the case of triangular sails fix two points then check the location of the final point.

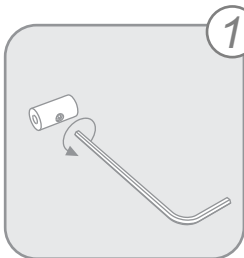
3) If possible leave this last fixing point for the area where you have most flexibility, for example if you are fitting to a wall or using a leader cable. This will allow you to adjust the shape or tension if required.

4) You can increase the effective coverage by lowering the fixing point on the south side of the sail (closest to the direction of the sun.)

5) At the lower edge of the roof you can increase coverage by lowering one or more fixing points onto the wall / window frame.

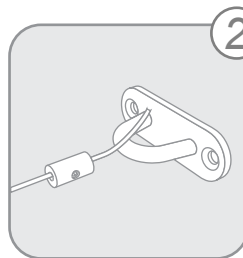
Leader cables, which are available separately, are an ideal way of securing your sail where you cannot get a direct fixing. For best results we suggest fixing the corner of the sail using a piece of string first and then once you are happy with the location put the leader cable in place.

One end of your leader will already be formed with permanent loop at one end. The other end is adjustable by means of a special cable clamp. The fitting details are shown below.



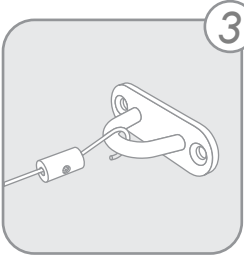
1

Start by loosening the grub screw using the supplied allen key. Note : You don't need to fully remove it.



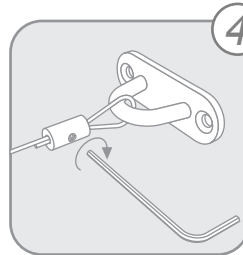
2

Next pass the free end of the cable through the clamp.



3

Loop the cable back and feed it back through the clamp. Pull the cable through until the leader is the required length.



4

Once the leader is the correct length, tighten up the grub screw. When you are happy with the sail position the excess cable can be cut with wire snips. Attach the other end as normal with a swivel hook.

Your InShade sails can be easily cared for by washing in a domestic washing machine. The material is inherently flame retardant and can be washed as often as required without affecting its fire rating. The material does not hold water and can be stretched back up in place to dry.

To maximise the life of the material it is recommended that the sails are washed every six months.



30o Cool wash. Do not bleach, tumble dry or iron.